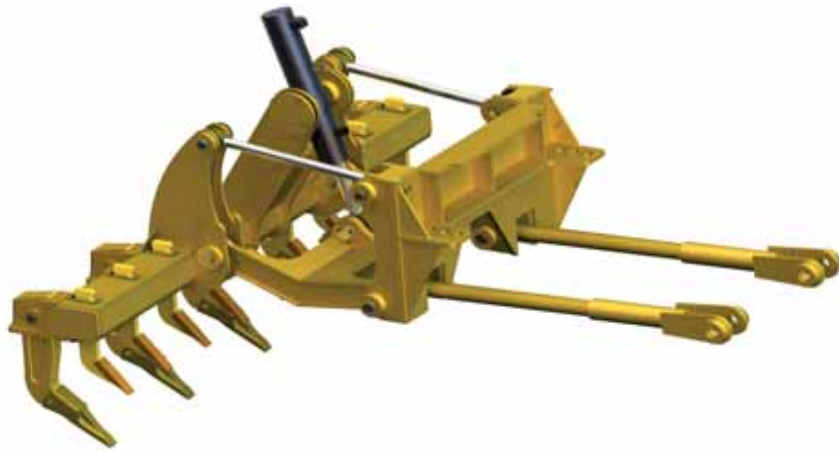


## Rippers

**Type designation: Rippe 14H, 14G, D5M, D6M, D6R, D6H, D8R...**

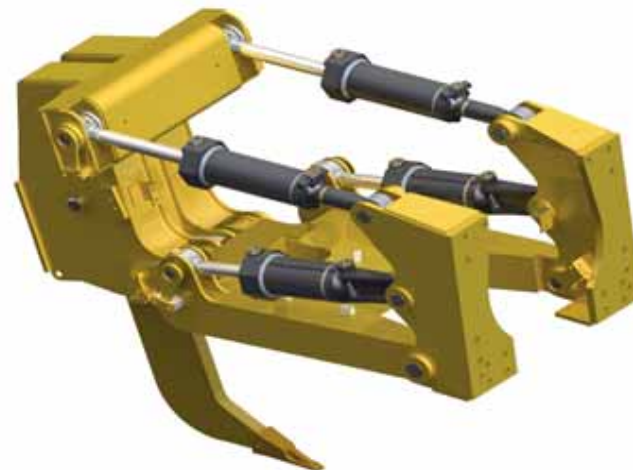
Rippers for Cat Dozers and Graders are used as additional equipment for these machines that enable an extension of their effectiveness. Delivery scope includes complete device including teeth, fastening parts and hydraulic equipment.



Ripper for CAT 14H wheel grader



Ripper for CAT D6R tracked dozer



Ripper for CAT D8R tracked dozer

