

Backhoe buckets for mini and medium excavators

Type designation: KM0, KM1, KM2, KM3, KM35, KM4, KM5

Buckets in this category are for general use, fitted on mini and medium excavators and with overall curb weight up to 12 tons. They are produced in the following versions: **SD (Standard Duty)** and **HD (Heavy Duty)**.



KM1 backhoe bucket, SD version

Buckets SD are used for excavation and shovelling of fine to medium grain material such as clay, soil, etc. It features a wear front blade and reinforced side edges

KM0	excavators weight 2 tons						
Width (mm)	200	300	400	500	600	700	800
Capacity (m ³)	0.015	0.024	0.035	0.046	0.057	0.067	0.078

KM1	excavators weight 2 - 2,6 tons						
Width (mm)	200	300	400	500	600	700	800
Capacity (m ³)	0.02	0.03	0.05	0.06	0.08	0.09	0.11

KM2	excavators weight 2,6 - 3,6 tons						
Width (mm)	300	400	500	600	700	800	900
Capacity (m ³)	0.05	0.08	0.10	0.12	0.15	0.17	0.19

KM3	excavators weight 3,5 - 6 tons						
Width (mm)	300	400	500	600	700	800	900
Capacity (m ³)	0.06	0.09	0.11	0.14	0.17	0.20	0.23

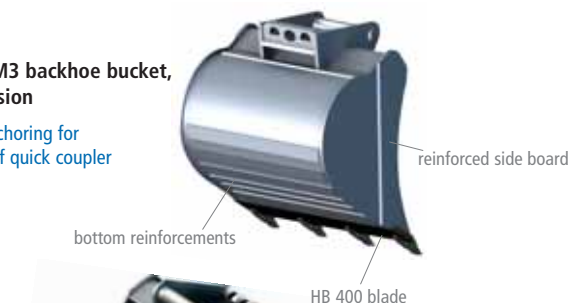
KM35	excavators weight 6 - 9 tons						
Width (mm)	300	400	500	600	700	800	900
Capacity (m ³)	0.08	0.12	0.16	0.19	0.23	0.27	0.31

KM4	excavators weight 8,5 - 10 tons							
Width (mm)	300	400	500	600	700	800	900	1000
Capacity (m ³)	0.10	0.15	0.20	0.25	0.31	0.36	0.42	0.48

KM5	excavators weight 10 - 12 tons									
Width (mm)	400	500	600	700	800	900	1000	1100	1200	1300
Capacity (m ³)	0.18	0.24	0.30	0.36	0.43	0.50	0.56	0.63	0.66	0.76

KM3KM3 backhoe bucket, SD version

with anchoring for Lehnhoff quick coupler

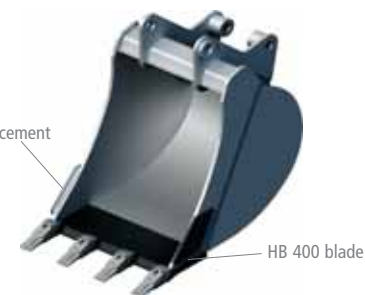


with anchoring for Verachtart CW quick coupler

parallel HB 400 trimming knife reinforcement

KM35 backhoe bucket

Backhoe bucket designed for excavator-loaders



KM5 backhoe bucket, HD version

HD Buckets are used for excavation and shovelling compact materials with medium to high splitting strength. All work areas are wear resistant.





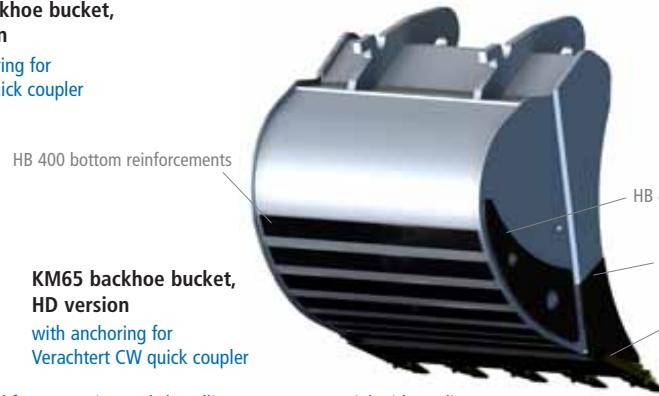
Backhoe buckets for hydraulic excavators

Type designation: KM55, KM6, KM65, KM7, KM75, KM8

Buckets in this category are fitted on hydraulic excavators with an overall curb weight of up to 46 tons. They are produced in the **HD (Heavy duty)** and **Rock (Rock)** versions.



KM55 backhoe bucket, HD version
with anchoring for Lehnhoff quick coupler



KM65 backhoe bucket, HD version
with anchoring for Verachtter CW quick coupler

HD Buckets are used for excavation and shovelling compact material with medium to high splitting strengths. All work areas are wear resistant.

KM55 excavators weight 12-15 tons		400	500	600	700	800	900	1000	1100	1200	1300
Width (mm)		400	500	600	700	800	900	1000	1100	1200	1300
Capacity (m³)		0.19	0.26	0.32	0.40	0.47	0.54	0.61	0.69	0.76	0.83

KM6 excavators weight 15-19 tons		500	600	700	800	900	1000	1100	1200	1300	1400
Width (mm)		500	600	700	800	900	1000	1100	1200	1300	1400
Capacity (m³)		0.30	0.38	0.47	0.55	0.64	0.73	0.81	0.90	0.99	1.08

KM65 excavators weight 19-23 tons		600	700	800	900	1000	1100	1200	1300	1400	1500
Width (mm)		600	700	800	900	1000	1100	1200	1300	1400	1500
Capacity (m³)		0.44	0.53	0.63	0.73	0.84	0.94	1.04	1.15	1.25	1.35

KM7 excavators weight 22-29 tons		600	700	800	900	1000	1100	1200	1300	1400	1500	1600
Width (mm)		600	700	800	900	1000	1100	1200	1300	1400	1500	1600
Capacity (m³)		0.49	0.60	0.71	0.83	0.94	1.06	1.18	1.30	1.41	1.53	1.65

KM75 excavators weight 28-38 tons		800	900	1000	1100	1200	1300	1400	1500	1600	1700	1800
Width (mm)		800	900	1000	1100	1200	1300	1400	1500	1600	1700	1800
Capacity (m³)		0.73	0.90	1.11	1.25	1.39	1.53	1.68	1.82	1.97	2.11	2.25

KM8 excavators weight 38-46 tons		800	900	1000	1100	1200	1300	1400	1500	1600	1700	1800
Width (mm)		800	900	1000	1100	1200	1300	1400	1500	1600	1700	1800
Capacity (m³)		0.97	1.12	1.27	1.44	1.60	1.77	1.94	2.11	2.27	2.44	2.61

KM75 backhoe bucket, ROCK version

Rock buckets are used for work with the highest splitting strengths, e.g. in quarries and in demolition work

